

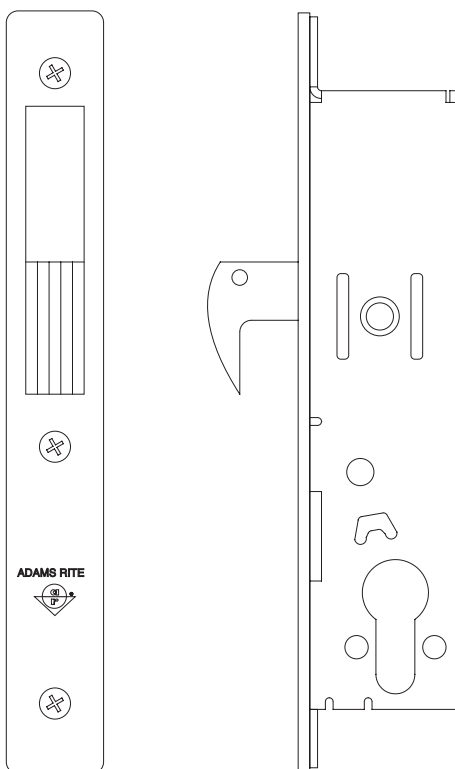
**MS®2200**

## maximum security deadlock

## function



**MS®2200 Deadlock:** Retains the same uncomplicated pivot mechanism and all the security features associated with the other MS® Deadlocks. The MS®2200 lockbody has been designed to cater for 17mm Europrofile and 22mm Kaba Profile cylinder applications. The 40mm backset option is available in the hookbolt 17mm Europrofile version only and in addition this version requires a barbolt faceplate.

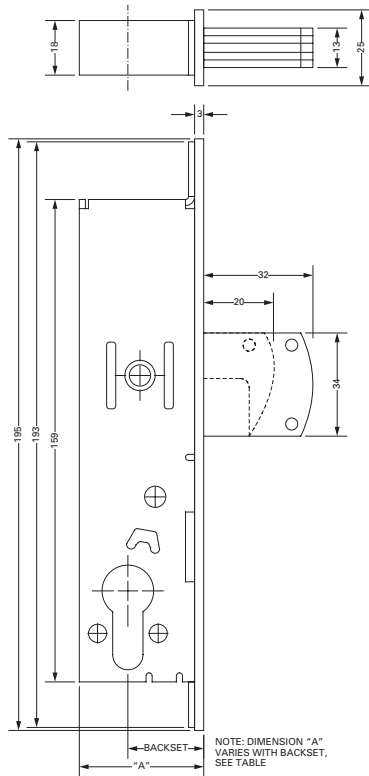


- **Overall Case Size:** 195mm x 25mm x 41mm (25mm Backset)  
195mm x 25mm x 46mm (30mm Backset)  
195mm x 25mm x 56mm (40mm Backset).
- **Case:** Steel with corrosion-resistant plating.
- **Backset:** 25mm, 30mm, 40mm (40mm option: hookbolt version only).
- **Bolt Throw:** 32mm (Bar); 20mm (Hook).
- **Lock Bolt:** 34mm x 13mm. 5 Ply Laminated Steel with Patented Alumina-Ceramic Anti-Saw Core (Stainless steel lockbolt option available on certain models).
- **Forend:** Steel with aluminium faceplate.
- **Mechanism:** Carbon Steel Actuating Mechanism.
- **Cylinder:** Any standard 17mm Europrofile Cylinder/Thumbturn or 22mm Kaba Profile Cylinder/Thumbturn.
- **Operation:** MS®2200 - 17mm Europrofile Cylinder  
MS®2210 - 22mm Kaba Profile Cylinder  
360° turn of key or thumbturn. Key only removable when bolt is positively locked or unlocked.
- **Faceplate Finishes:** 628 Satin Aluminium, 313 Bronze, 335 Black.
- **Door Type:** Aluminium or Steel.
- **Two/Three Point Locking:** Specify 4022-18 (1 or 2 no.)  
(Not available in 40mm backset).
- **Monitoring Facility:** Optional via Microswitch within case.

➤➤➤➤ Please see overleaf for DIMENSIONS and ORDERING

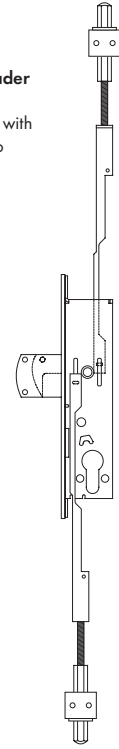


## dimensions

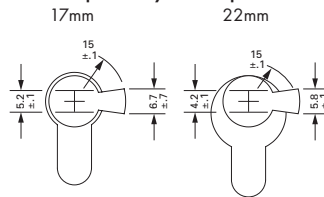


Backset	Dimension "A"
25mm (0.98")	41mm (1.61")
30mm (1.18")	46mm (1.81")
40mm (1.57")	56mm (2.20")

Optional **4022-18 header and threshold bolt**.  
196mm long fixed arm with screw adjustable bolt to maximum of 1200mm.



### Europrofile Cylinder Options



## ordering

### LOCK BODIES

2200-110	25mm Backset Barbolt Deadlock 17mm Cylinder
2200-150	25mm Backset Hookbolt Deadlock 17mm Cylinder
2200-150-02	25mm Backset Hookbolt Deadlock 17mm Cylinder Monitored
2200-210	30mm Backset Barbolt Deadlock 17mm Cylinder
2200-250	30mm Backset Hookbolt Deadlock 17mm Cylinder
2200-250-02	30mm Backset Hookbolt Deadlock 17mm Cylinder Monitored
2200-350	40mm Backset Hookbolt Deadlock 17mm Cylinder
2200-350-02	40mm Backset Hookbolt Deadlock 17mm Cylinder Monitored
2210-110	25mm Backset Barbolt Deadlock 22mm Cylinder
2210-150	25mm Backset Hookbolt Deadlock 22mm Cylinder
2210-150-02	25mm Backset Hookbolt Deadlock 22mm Cylinder Monitored
2210-210	30mm Backset Barbolt Deadlock 22mm Cylinder
2210-250	30mm Backset Hookbolt Deadlock 22mm Cylinder
2210-250-02	30mm Backset Hookbolt Deadlock 22mm Cylinder Monitored

**NOTE:** The MS@2200 is available with Rivnut fixing - change last digit of code to '3' e.g. 2200-113.  
Cylinders, thumbturns and faceplates not supplied as standard; order separately.  
40mm backset option available in 17mm Europrofile cylinder hookbolt version only.

### FACEPLATES

24-2200-010-628	MS@2200 Faceplate Flat Bar Lock SAA Finish
24-2200-050-628	MS@2200 Faceplate Flat Hook Lock SAA Finish
24-2200-110-628	MS@2200 Faceplate Radius Bar Lock SAA Finish
24-2200-150-628	MS@2200 Faceplate Radius Hook Lock SAA Finish
24-2200-250-628	MS@2200 Faceplate Left Hand Bevel Hook Lock SAA Finish
24-2200-350-628	MS@2200 Faceplate Right Hand Bevel Hook Lock SAA Finish
24-2200-410-628	MS@2200 Faceplate Radius Weatherstrip Bar Lock SAA Finish
24-2200-450-628	MS@2200 Faceplate Radius Weatherstrip Hook Lock SAA Finish

**NOTE:** 628 denotes Satin Anodised Finish-substitute 628 with 313 for Bronze, or 335 for Black.  
Always order a barbolt faceplate when using the 40mm backset hookbolt version.

## related hardware

4104 Mounting Bridges

Europrofile Cylinders and Escutcheons

Europrofile Thumbturns

MS4000 Armoured Parts

4022-18 Header/Threshold Bolt